

4 DF BV

4" Deep Dual Face Block Vent



Application:

CLASS ROOMS/CORRIDORS: No more cold corridors and overheated classrooms, perfect air balance between the two.

INDUSTRIAL: No more stagnant air in storage rooms
No more overheated boiler rooms (can be used on exterior walls as well)

LOCKER ROOMS & GYMS: Positive air supply doing away with that stagment air problem
Can be made in any size, width or height as well as 4" in depth.
Vent shall be able to support a uniform load of 12,000 lbs. per linear foot

Material:

6063-T5 125" thick aluminum Head & Sill with
6063-T5 .125" thick aluminum extruded blades.

Sizes:

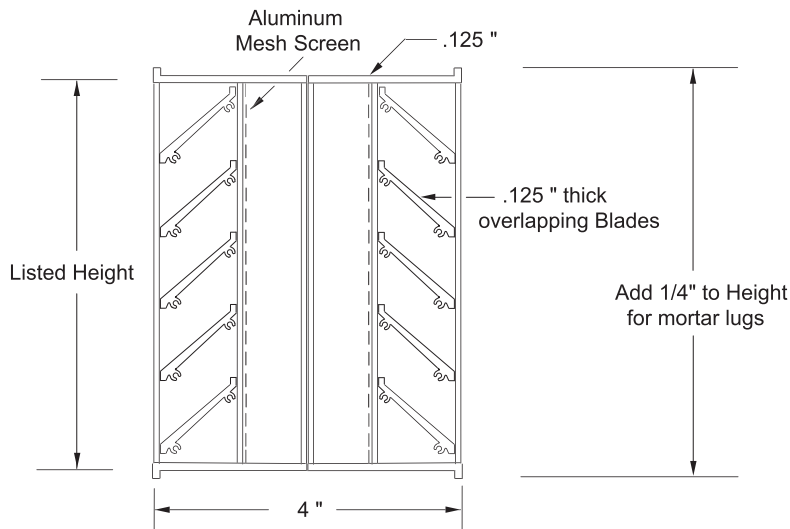
See price list for standard sizes. Custom sizes should be ordered by opening size.

Construction:

Blade angle approximately 45 degree angle
Blades spaced for maximum performance

Finishes:

Standard Mill Finish
Clear Anodize
Prime Coat
Baked Enamel Finish
Bronzed Anodized Finish



Dual Face Block Vents 4", 8", 12" Increments

| | |
|------------------------|--------------------|
| REPRESENTATIVE: | CONTRACTOR: |
| ARCHITECTURAL | LOCATION |
| ENGINEER | PROJECT |
| | DATE |