

# BV 8 DP

## Brick Vent 8" Deep



**Application:**

Can be made in any size, width or height  
 Attached to vent by tongue and groove method.  
 Blades are overlapping with storm stop at top.  
 Head and sills have beaded drips,  
 and the sill contains a high water stop at rear.  
 All these features lead to the maximum stormproof  
 protection possible.  
 Vent shall be able to support a uniform load of  
 12,000 lbs. per linear foot

**Sizes:**

See price list for standard  
 sizes. Custom sizes should  
 be ordered by opening size.

**Construction:**

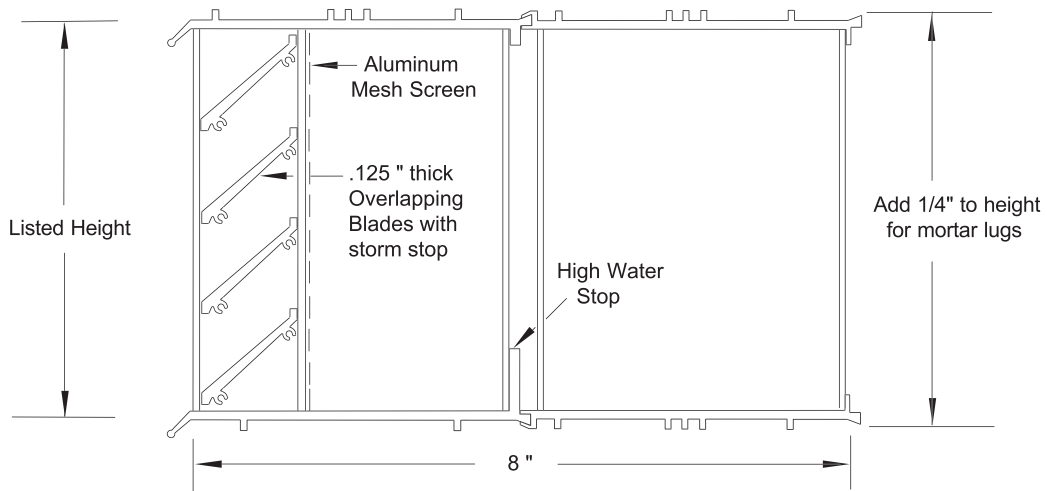
Blade angle approximately 45  
 degree angle  
 Blades spaced for maximum  
 performance

**Material:**

6063-T5 .125" thick aluminum  
 Head & Sill with  
 6063-T5 .125" thick aluminum  
 extruded blades.

**Finishes:**

Standard Mill Finish  
 Clear Anodize  
 Prime Coat  
 Baked Enamel Finish  
 Bronzed Anodized Finish



Heavy Duty Extruded Aluminum Ducts 4", 8", 12" Increments

<b>REPRESENTATIVE:</b>	<b>CONTRACTOR:</b>
<b>ARCHITECTURAL</b>	<b>LOCATION</b>
<b>ENGINEER</b>	<b>PROJECT</b>
	<b>DATE</b>